


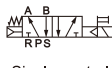
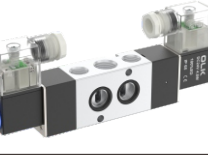

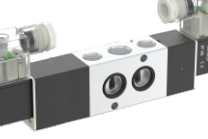
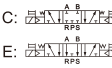

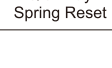


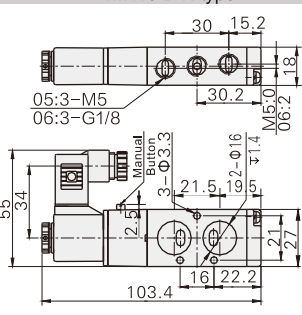
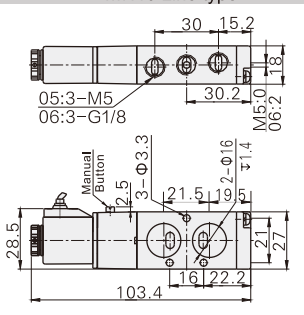
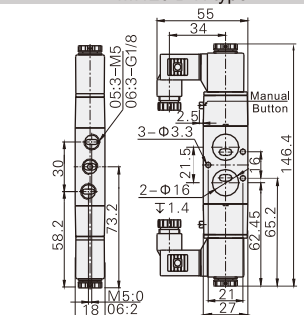
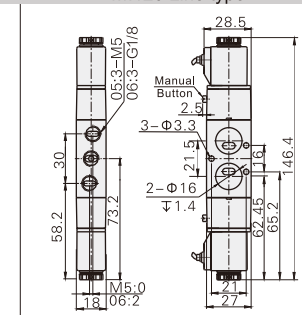
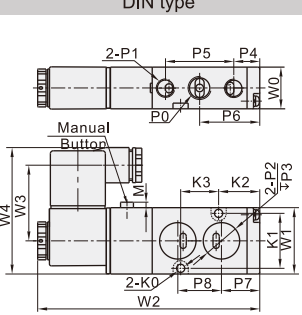
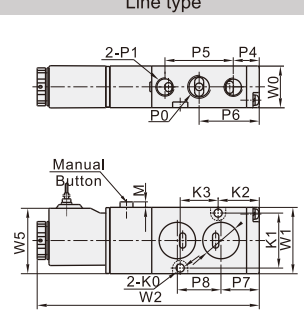
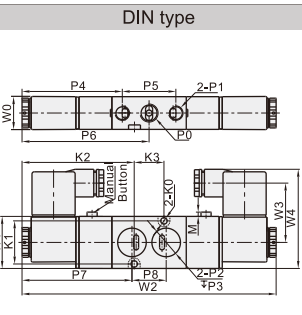
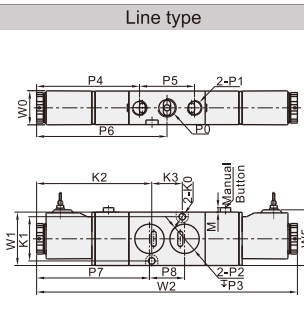

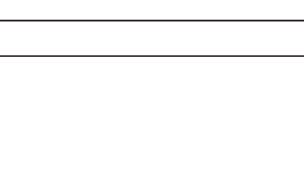
Coil

Coil parameters	 Line type	 DIN type	Standard voltage: DC12V,DC24V,AC24V,AC36V, AC110V,AC220V,AC380V Scope of voltage: AC±15% DC ±10%	Protection: IP65(DIN40050) Temperature classification: B Class Electrical entry: DIN type,Line type Activating time: 0.05 sec and below
-----------------	--	---	---	--

4M series(5/2 way) Parameter

Product images	Model	Port size (IN)	Port size (OUT)	Port size (exhaust)	Valve type	"□" Model Optional	Same parameters
	4M110-M5-□		M5		 Single control 5/2-Way Spring Reset	① Acting Blank: DIN type L: Line type ② Electrical entry Blank: Internal pilot W: external pilot ③ Thread type Blank: G NPT: NPT PT: PT ④ Voltage DC12V DC24V AC24V AC36V AC110V AC220V AC380V	Fluid: Air(to be filtered by 40um filter element) Operating pressure: 0.15-0.8MPa Proof pressure: 1.2MPa Temperature: -20~70°C Lubrication: Not required Material of body: Aluminum alloy
	4M110-06-□		1/8				
	4M210-06-□		1/8				
	4M210-08-□	1/4		1/8			
	4M310-08-□	1/4					
	4M310-10-□	3/8		1/4			
	4M120-M5-□		M5		 double control 5/2-Way state memory		
	4M120-06-□		1/8				
	4M220-06-□		1/8				
	4M220-08-□	1/4		1/8			
	4M320-08-□	1/4					
	4M320-10-□	3/8		1/4			
	4M420-15-□		1/2		C:  E:  P:  double control 5/3-Way Spring Reset		
	4V130C/E/P-M5-□		M5				
	4V130C/E/P-06-□		1/8				
	4V230C/E/P-06-□		1/8				
	4V230C/E/P-08-□	1/4		1/8			
	4V330C/E/P-08-□	1/4					
	4V330C/E/P-10-□	3/8		1/4			
	4V430C/E/P-15-□		1/2				

4M series(5/2 way) External dimensions

4M110 DIN type		4M110 Line type		4M120 DIN type		4M120 Line type									
															
DIN type		Line type		Model		P0	P1	P2(Φ)	P3	P4	P5	P6	P7	P8	M
				4M210-06		1/8	1/8	19.2	1.7	13.7	36	31.7	20.2	23	3
				4M210-08		1/4	1/8	19.2	1.7	13.7	36	31.7	20.2	23	3
				4M310-08		1/4	1/4	19.2	1.7	17.5	45	40	28	24	2.4
				4M310-10		3/8	1/4	19.2	1.7	17.5	45	40	28	24	2.4
DIN type		Line type		Model		K0(Φ)	K1	K2	K3	W0	W1	W2	W3	W4	W5
				4M210-06		4.3	29	21.7	20	22	35	117	40	67	34.5
				4M210-08		4.3	29	21.7	20	22	35	117	40	67	34.5
				4M310-08		5.2	32	29.3	21.5	27	40	135	40	69	39
				4M310-10		5.2	32	29.3	21.5	27	40	135	40	69	39
DIN type		Line type		Model		P0	P1	P2(Φ)	P3	P4	P5	P6	P7	P8	M
				4M220-06		1/8	1/8	19.2	1.7	67.4	36	85.4	74	23	3
				4M220-08		1/4	1/8	19.2	1.7	67.4	36	85.4	74	23	3
				4M320-08		1/4	1/4	19.2	1.7	72.4	45	95	83	24	2.4
				4M320-10		3/8	1/4	19.2	1.7	72.4	45	95	83	24	2.4
DIN type		Line type		Model		K0(Φ)	K1	K2	K3	W0	W1	W2	W3	W4	W5
				4M220-06		4.3	29	75.4	20	22	35	171	40	67	36.5
				4M220-08		4.3	29	75.4	20	22	35	171	40	67	36.5
				4M320-08		5.2	32	84.3	21.5	27	40	190	40	69	39
				4M320-10		5.2	32	84.3	21.5	27	40	190	40	69	39